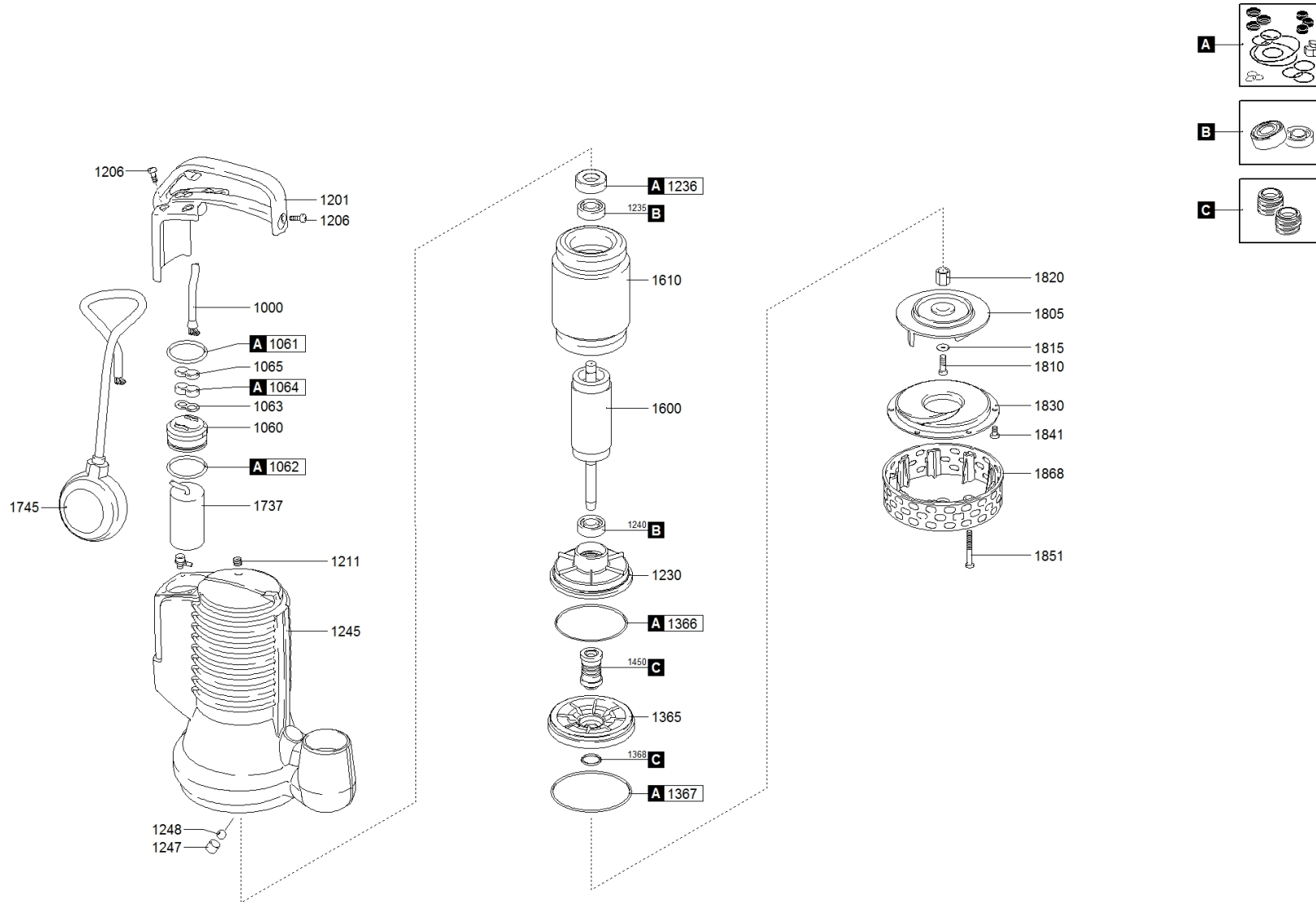


1062.008 - DRBLUE 100/2/G32V A1BM5 NPTCB41U23NW0CX





water solutions



1062.008 - DRBLUE 100/2/G32V A1BM5 NPTCB41U23NW0CX

		Code		Description		Q.ty
A		601008001		GASKETS KIT	801156	1
C		602008011		MECHANICAL SEALS KIT	802762	1
B		604008301		BEARINGS KIT		1
1000		250102304010200000		POWER CABLE		1
1060		239768026156		HOLDER [CABLE GLAND]	805885	1
1061		271770412835300000		UPPER GASKET - HOLDER [CABLE GLAND]	711030	1
1062		271770040952620000		LOWER GASKET - HOLDER [CABLE GLAND]		1
1063		235467024279		CABLE STOP		1
1063		2732001100000		CABLE STOP		1
1064		235678024237		RUBBER GASKET	711018	1
1065		235467024241		CABLE GLAND	805884	1
1201		235360424137		CABLE GLAND HANDLE	804983	1
1206		270830510140400000		SCREW [CABLE GLAND HANDLE >> COVER]		5
1211		270139510104000000		CAP [TIGHTNESS TEST]	802099	1
1230		230556223465		LOWER BEARING HOLDER		1
1235		2729062010200000		UPPER BEARING	711365	1
1236		238579023531		RUBBER PROTECTION [UPPER BEARING]		1
1240		2729062010200000		LOWER BEARING	711365	1
1245		231016224963		MOTOR CASE		1
1365		2391000015023462		MECHANICAL SEAL FLANGE		1
1366		271770088035000000		GASKET [LOWER BEARING HOLDER >> MECHANICAL SEAL FLANGE]		1
1367		271770079018000000		GASKET [MECHANICAL SEAL FLANGE >> BASE]		1
1368		237970100160600000		V-RING [MECHANICAL SEAL FLANGE]		1
1450		230005060120000000		MECHANICAL SEAL		1
1600		230233611623481		SHAFT WITH ROTOR		1
1610		231101161001000000		WOUND STATOR	802375	1
1737		2517020000000		CAPACITOR	711021	1
1805		21416000790423528		IMPELLER	711283	1
1810		270830510200400000		LOCKING IMPELLER	711026	1
1815		270530202073000000		LOCKING WASHER [IMPELLER]		1
1820		2307405623457		BUSH [IMPELLER]		1
1830		2162311323458		SUCTION FLANGE	710980	1
1841		270830510100400000		SCREW [SUCTION FLANGE >> MOTOR CASE]		3
1851		270830510450400000		SCREW [STRAINER >> SUCTION FLANGE]		3
1868		216563623890		CLOSED STRAINER	711284	1